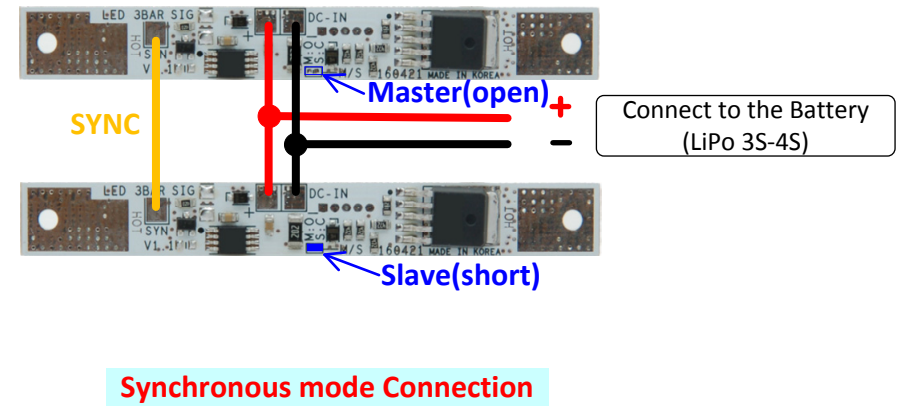
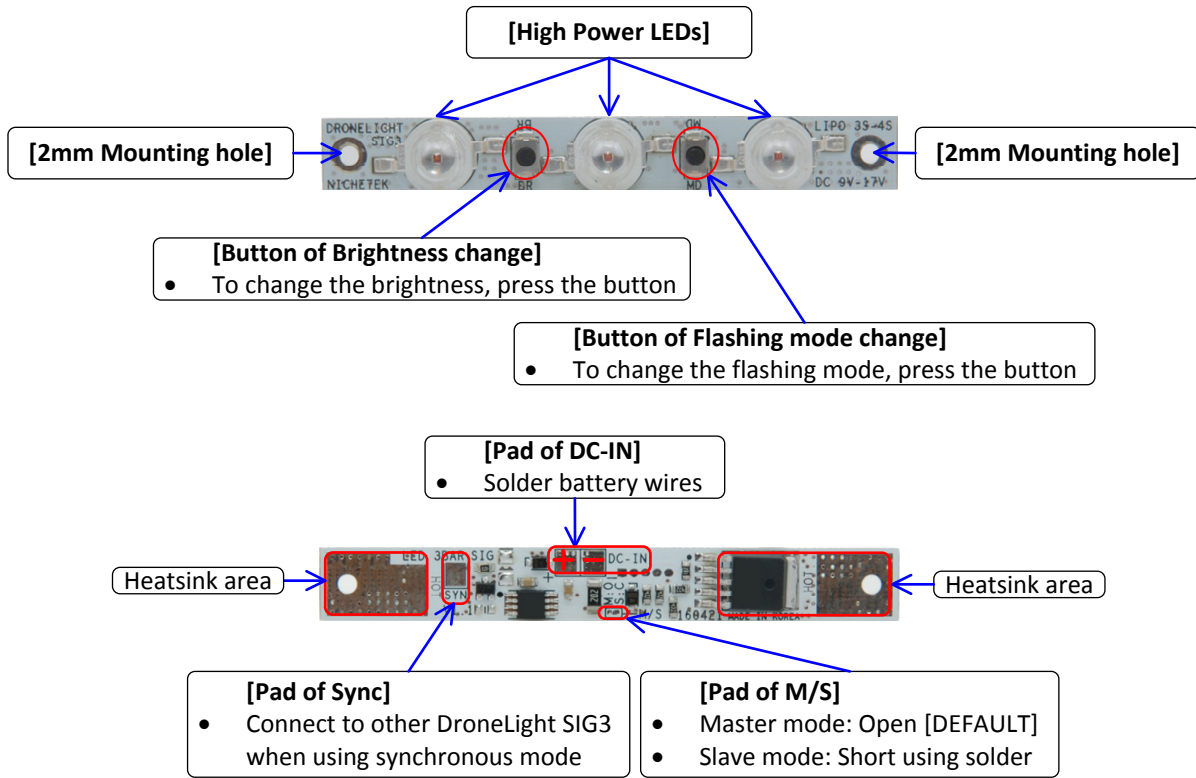


Quick Start Guide for DroneLight SIG3



[Features]

- Built-in LED controller/driver and LEDs on one PCB
- Can see the flashing LED under the sunlight
- Can easily distinguish the direction of drone using different colored LEDs
- 3-steps brightness control (10% - 50% - 100%)
- 6-steps different flashing mode control
- Synchronous mode support (Master and Slave)
- Constant current LED driving regardless of battery voltage drop
- Simple wire connection
- Reverse voltage protection

[Flashing Mode]

- MODE1-S → MODE1-A → MODE2-S → MODE2-A → MODE3-S → MODE3-A → MODE4-S → MODE4-A → MODE5-S → MODE5-A → MODE6-S → MODE6-A → LED OFF , Repeat MODE when press the MODE button ('S' is Same flashing, 'A' is Alternative flashing)

[Specification]

- Input Voltage: DC9V ~ 17V (LiPo 3S ~ 4S) via DC-IN pad (※ 3cell battery recommend)
- LED: 1W High Power LED (Luminous flux; White: typ 90lm, Green: typ 65lm, Red: typ 55lm, Blue: typ 25lm, Amber: 55lm)
- Power consumption: Operation max 4.2W(350mA @12V)
- Operating Temperature: -10°C ~ 50°C
- Dimensions: 63mm(L) x 8mm(W) x 8.2mm(H), Weight: 3.5g

[CAUTION]

- Do not exceed over 17V! Please mind the polarity of LiPo battery!
- Do not touch the heatsink area of PCB!
- PCB will be very hot at max brightness and max input voltage. It is normal.

Quick Start Guide for DroneLight SIG3

2016.5.6 Revision R1.0

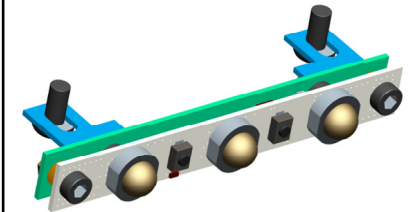
Thank you for purchasing this NicheTek product.

Packing List

- DroneLight SIG3: 1pc

Copyright 2016.

NicheTek all rights reserved.



※ Specifications and price are subject to change without any notice to improve product.